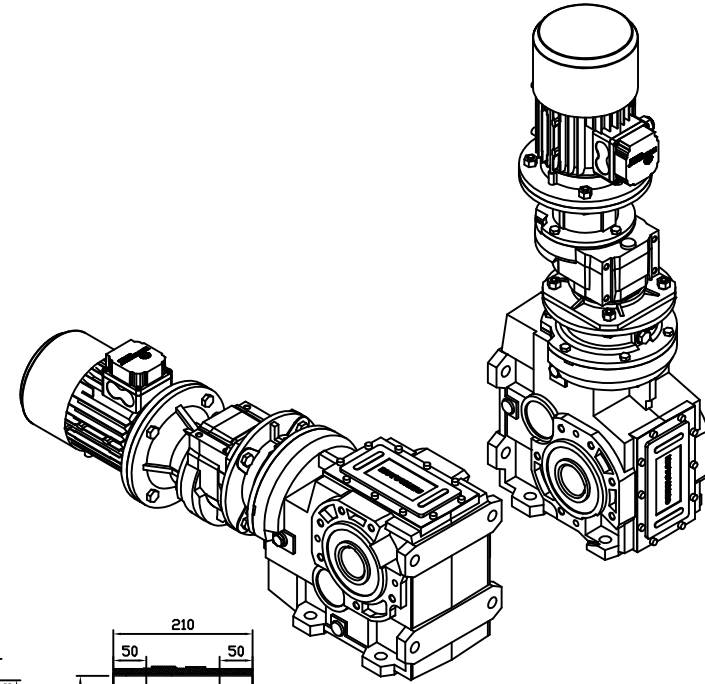
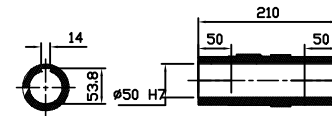
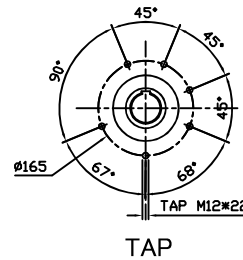
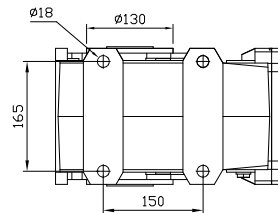
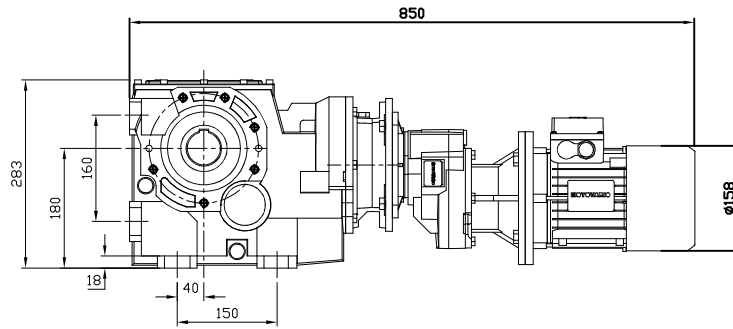
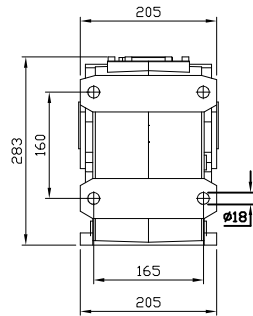
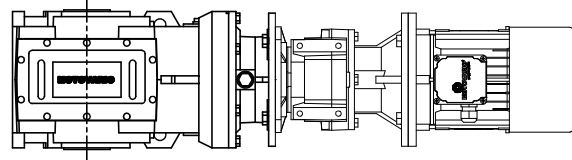




APPROX WEIGHT : 58.2+13+13.2 = 84.4 kg

REDUCER SPEC	
MODEL	HR051+B103
SERVICE FACTOR	
RATIO	283.01
OUTPUT [rpm]	6.2
OUTPUT TORQUE [Nm]	1008
WEIGHT [kg]	71.2

MOTOR SPEC	
MODEL	TPA/80B5 220/380V
POWER [kW]	0.75
POLE, PHASE	4P, 3PHASE
INPUT [rpm]	1750
BRAKE	NO
WEIGHT [kg]	13.2



(주)한국체인모터

Tel. 032-815-8888 Fax. 815-8020
www.hcmfa.com

PROJECT		MOTOVARIO					
DRAWN	SEO Y.S	DATE		REV	A	SCALE	1:1
CHECKED	KIM J.S	DATE		UNIT	MM	PAGE	-
APPROVED	LEE J.Y	DATE					